



50 YEARS 1969-2019	Q ISO 9001 Certified Quality	5 YEARS Extended Warranty
CE EN-61010-1 Security	CE EN-61326-1 Electromagnetic C.	
4/20mA Process	Double	

5. CONNECTIONS

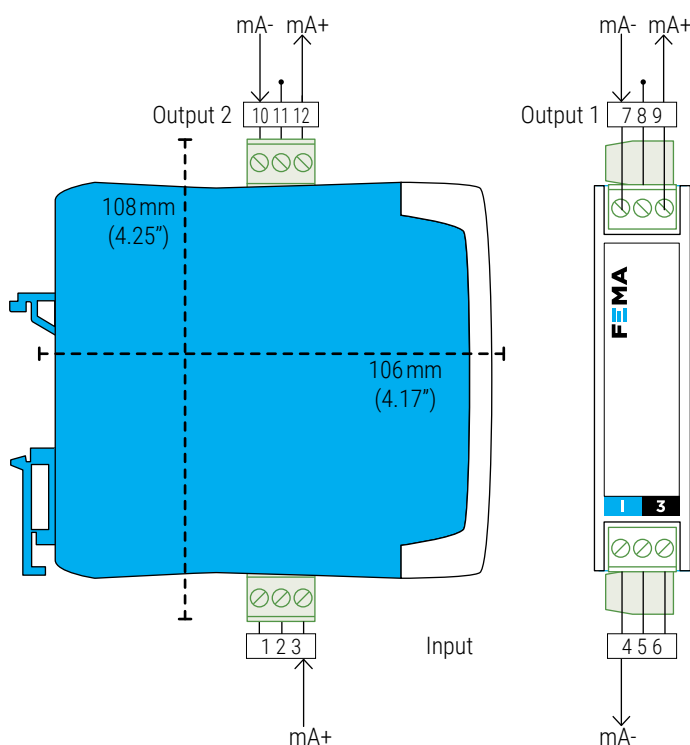


Table 3 | I3LP-102 CONNECTIONS

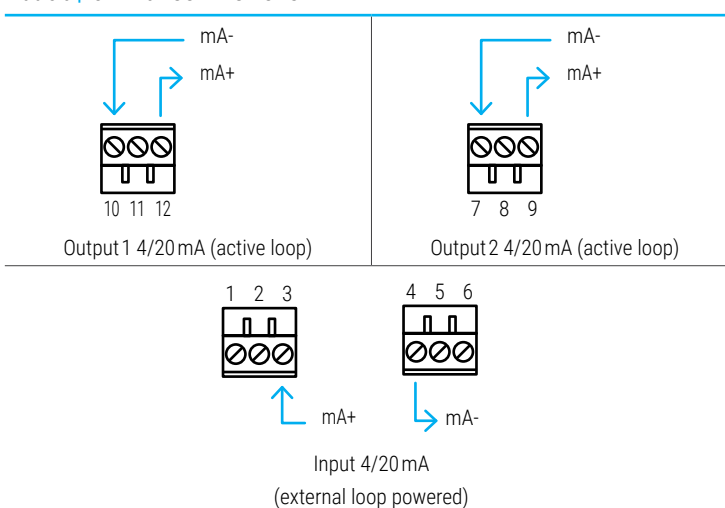


Table 1 | I3LP-102 SCHEMATIC

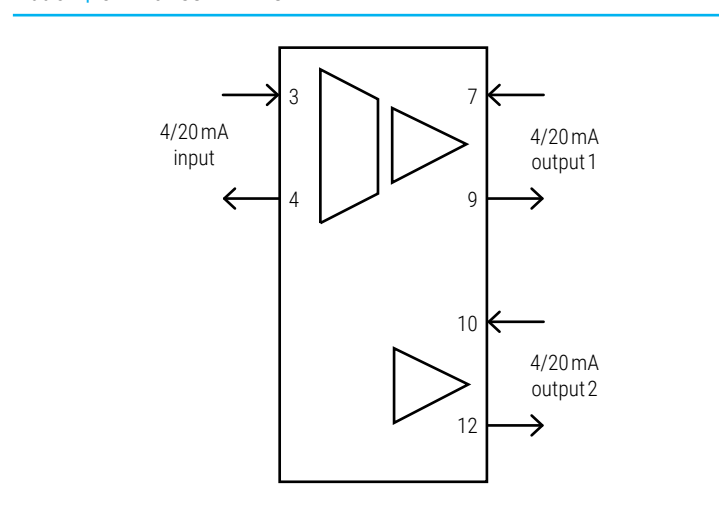


Table 2 | I3LP-102 CONNECTIONS - INPUT SIGNAL

	Input					
	1	2	3	4	5	6
	n.c.	n.c.	mA+ (in)	mA- (out)	n.c.	n.c.

Table 4 | I3LP-102 CONNECTIONS - OUTPUT SIGNAL

	Output 1			Output 2		
	7	8	9	10	11	12
	mA- (in)	n.c.	mA+ (out)	mA- (in)	n.c.	mA+ (out)

1. INSTALLATION AND START-UP

1. Install the instrument at the DIN rail
2. Connect the output signal (see section 5)
3. Connect the input signal (see section 5)

2. MATERIAL INCLUDED

- The instrument is provided with the following elements :
- 1 x instrument I3LP-102
 - 4 x plug-in screw terminals, connected to the instrument
 - 1 x Quick installation guide

3. ADDITIONAL DOCUMENTATION

User's manual	www.fema.es/docs/5807_I3LP102_manual_en.pdf
Datasheet	www.fema.es/docs/5813_I3LP102_datasheet_en.pdf
Quick installation guide	www.fema.es/docs/5819_I3LP102_installation_en.pdf
Declarations of conformity	www.fema.es/docs/5643_CE-Declaration_I3_en.pdf
Warranty	www.fema.es/docs/4153_Warranty1_en.pdf
Web	www.fema.es/Series_I3

Scan the QR code to directly access the user's manual of this instrument.



4. HOW TO ORDER

Reference	Description
I3LP-102	Isolated signal duplicator (1 input, 2 outputs)

6. REGULATIONS

This instrument conforms to the actual CE regulations. For a copy of the 'CE declaration of conformity' see section 3. Applicable regulations are :

Security regulations EN-61010-1 ('Fixed' equipment, 'Permanently connected'. 'Double' isolation).

Electromagnetic compatibility regulations EN-61326-1

Instrument designed to be DIN rail mounted, inside a cabinet, protected from direct impacts.



Risk of electrical shock. Instrument terminals can be connected to dangerous voltage.



Instrument protected with double isolation. No earth connection required.



Instrument conforms to CE and UKCA rules and regulations.



According to directive 2012/19/EU, electronic equipment must be recycled in a selective and controlled way at the end of its useful life.



Standard warranty of 3 years according to actual european legislation. Free of cost warranty extension of 5 years, available at (see section 3).

This page intentionally blank